

Roll No.

Total Pages : 04

BT-3/D-19

33105

MACHINE DRAWING

ME-205N

(Opt. I)

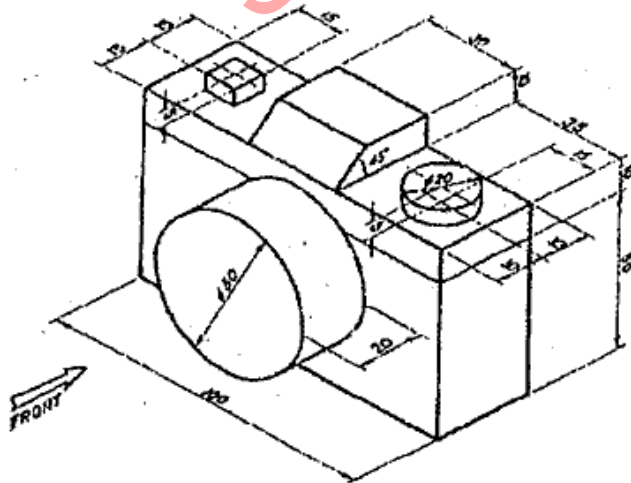
Time : Four Hours]

[Maximum Marks : 75

Note : Attempt Three questions in all, selecting at least one question from each Unit.

Unit I

1. (a) Explain the unilateral and bilateral tolerance. 5
(b) Explain the following terms with neat sketch :
Clearance and Interface. 10
2. Draw front view and top view. 15



3-25/5) L-33105

P.T.O.

L-33105

2

1,600

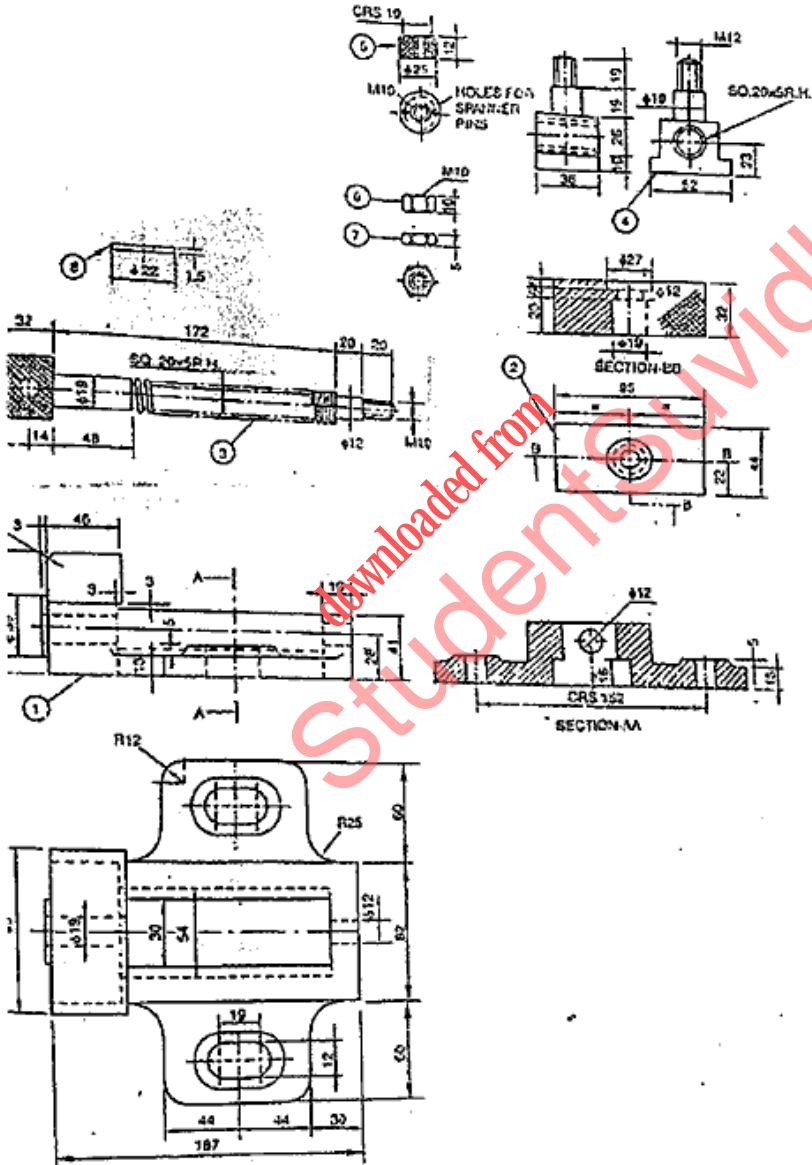
Unit II

3. Draw any two views of Connecting Rod. 15
4. Draw any two views of Sleeve and Cotter Joint. 15

Unit III

5. Draw any two views of the Machine Vice. Details are given below (Fig. attached). 45

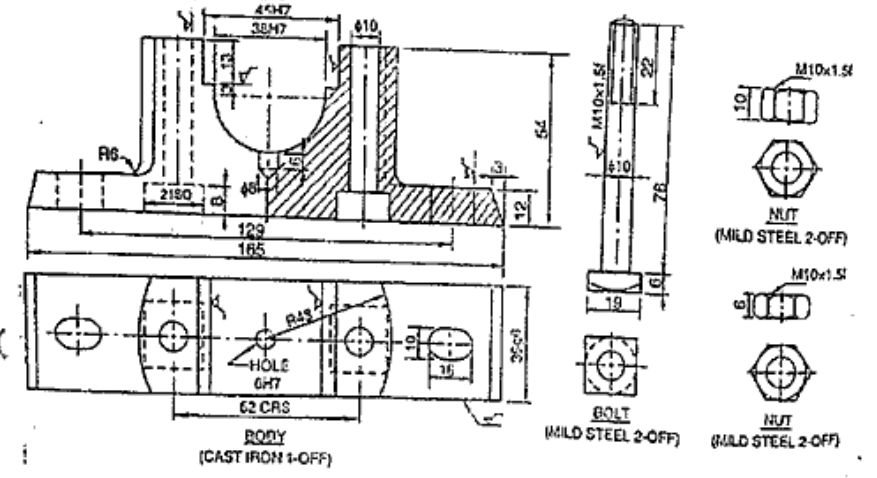
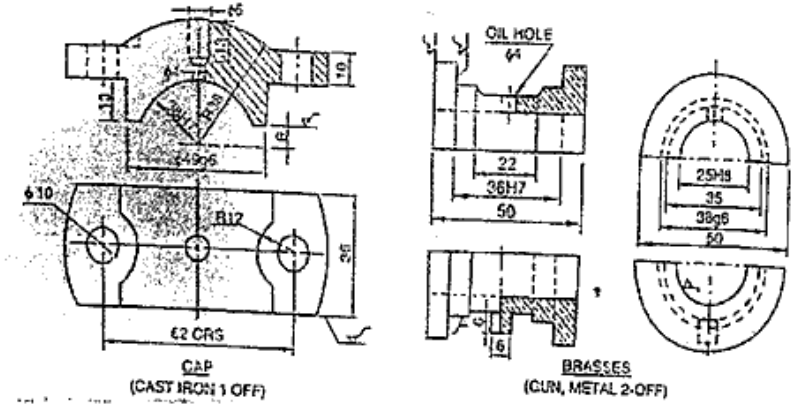
Draw any two views of the Plumber Block. Details are given below. 45



1105

3

1,600



L-33105

4

1,600